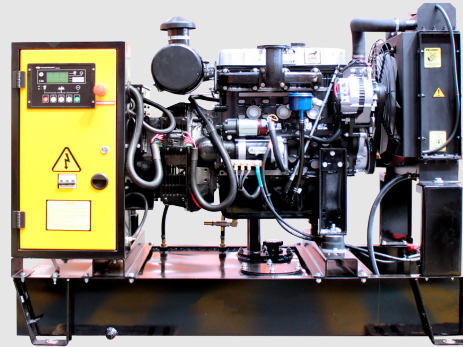


MODEL	POWER		VOLTAGE	FREQUENCY	POWER FACTOR	CURRENT
	PRIME	STAND BY				
MP-82E	74 Kw/93 KVA	81 Kw/101 KVA	208V	60Hz	0.8	281 A
MP-82E	75 Kw/94 KVA	82 Kw/103 KVA	440V	60Hz	0.8	134 A
MP-82E	75 Kw/94 KVA	83 Kw/104 KVA	480V	60Hz	0.8	136 A



SILENT GENERATOR SET



OPEN GENERATOR SET

* Note: All pictures shown are for illustration purpose only. Actual product may vary due to product enhancement.

Specifications

Generator Set

Model	MP-82E	
Engine	PERKINS 1104D-E44TAG1 EPA Tier 3	
Alternator	STAMFORD UCI 224G	
Control Panel	Electronic	
Phases	Three-phase	
Fuel Tank	Open: 41 Gallons / Silent: 59 Gallons	
Electric System	12V.	
Frequency	60Hz	50Hz
Cooling Fan Air flow	199 m3/min	152 m3/min
Combustion Air flow	7.7 m3/min	6.2) m3/min
Exhaust Gas flow	17.) + m3/min	15.7(m3/min
Exhaust Gas temperature	630 °C	648 °C

Genset Noise Level	Maximum	Ambient
	Silent @ 7m	67 +/- 2 dBA

Engine

Number of Cylinders	4 in-line
Governor Type	Electronic
Cycle	4-Stroke
Aspiration	Turbocharger chargecooled
Fuel	Diesel
Combustion System	Direct injection
Cooling Method	Water Cooled
Bore	105.0 mm
Stroke	127.0 mm
Displacement	4410cc
Compression Ratio	16.2:1
Lubrication Sys. Capacity	8 liters
Cooling Sys. Capacity	17 liters

Fuel Consumption

Engine Speed	1800 RPM	1500 RPM
	l/hr	l/hr
Stand-by Power (2)	25.5	22.6
Prime Power (1)	23.7	20.6
75% Prime Power (1)	18.7	16.9
50% Prime Power (1)	13.5	11.3

Alternator

Insulation System	Class "H"
Exciter Type	Self exciter
Voltage Regulation Card	SX460 ± 1.0%
Protection Class	IP 23

Technical Standards

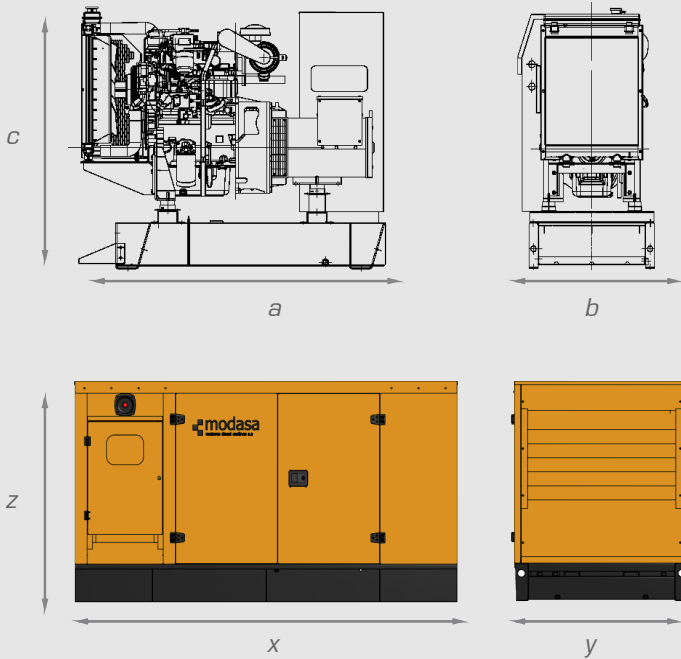
Engine :	ISO 3046, BS 5514, DIN 6271
Alternator :	IEC EN 60034, BS 5000, IEC 34 VDE 0530, NEMA MG1-32 CSAC22, 2-100, ASI 1359
Generator Set :	ISO 8528, ISO 9001:2015

(1) Prime Power: Available power under variable load for unlimited hours per year (ISO8528-1). Allows 10% power surge for one hour, every 12 hours.

(2) Standby Power: Available power under variable load, whenever the commercial network breaks down. Does not accept surges (ISO8528-3); it has 500 hours usage limit per year or 300 continuous hours instead.

Dimensions

Dimensions and Weights	a	b	c	Weight	Exh. Ø
	1824 mm	814 mm	1302 mm	1032 kg	2.5"
Dimensions and Weights	x	y	z	Weight	Exh. Ø
	2260 mm	1089 mm	1469 mm	1422 kg	3"



Control Panel



Outfitted with the most recent age electronic digital control panel, it allows starting, controlling, protecting and stopping the generator set in manual and automatic modes. Performs automatic transfer.

Measurements shown with alpha-numeric characters on the digital display:

- Voltage of the three phases L - L y L - N.
- Current of the three phases L1, L2, L3.
- Frequency.
- Rotation speed.
- Battery voltage.
- Working time.
- Oil pressure.
- Cooling temperature.

Optional Enhancements

- Residential muffler. (included in Silent Genset)
- Monoblock water heater.
- Alternator dehumidifying resistance.
- Electronic governance.
- Automatic transfer board.
- Variety of voltages.
- Remote speed/voltage potentiometer.
- Fuel level electric meter.

Protection:

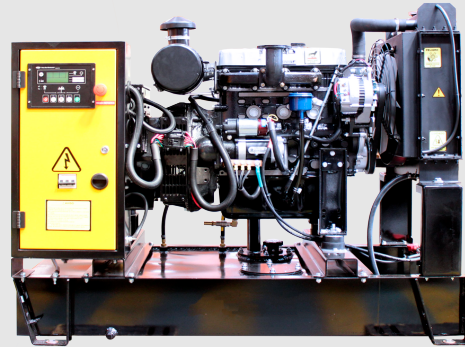
- Starter failure.
- Stop failure.
- Low oil pressure.
- High engine temperature.
- Low / High frequency.
- Low / High generator voltage.
- Low / High battery voltage.
- Emergency stop.
- Overload fault.
- CAN diagnosis.

M: Modasa / P: PERKINS Engine / 82: Genset Power Reference / Q: 50 Hz 1500 RPM / I: Silent / M: Single-phase / E: EPA Tier

MODEL	POWER		VOLTAGE	FREQUENCY	POWER FACTOR	CURRENT
	PRIME	STAND BY				
MP-82EM	72 Kw/72 KVA	80 Kw/80 KVA	240V	60Hz	1.0	333 A



SILENT GENERATOR SET



OPEN GENERATOR SET

* Note: All pictures shown are for illustration purpose only. Actual product may vary due to product enhancement.

Specifications

Generator Set

Model	MP-82EM	
Engine	PERKINS 1104D-E44TAG1 EPA Tier 3	
Alternator	STAMFORD UCI 274D	
Control Panel	Electronic	
Phases	Single-phase	
Fuel Tank	Open: 41 Gallons / Silent: 59 Gallons	
Electric System	12V.	
Frequency	60Hz	50Hz
Cooling Fan Air flow	199 m3/min	152 m3/min
Combustion Air flow	7.7 m3/min	6.2) m3/min
Exhaust Gas flow	17.) + m3/min	15.7(m3/min
Exhaust Gas temperature	630 °C	648 °C

Genset Noise Level	Maximum	Ambient
Silent @ 7m	67 +/- 2 dBA	54 dBA

Engine

Number of Cylinders	4 in-line
Governor Type	Electronic
Cycle	4-Stroke
Aspiration	Turbocharger chargecooled
Fuel	Diesel
Combustion System	Direct injection
Cooling Method	Water Cooled
Bore	105.0 mm
Stroke	127.0 mm
Displacement	4410cc
Compression Ratio	16.2:1
Lubrication Sys. Capacity	8 liters
Cooling Sys. Capacity	17 liters

Fuel Consumption

Engine Speed	1800 RPM	1500 RPM
	l/hr	l/hr
Stand-by Power (2)	25.5	22.6
Prime Power (1)	23.7	20.6
75% Prime Power (1)	18.7	16.9
50% Prime Power (1)	13.5	11.3

Alternator

Insulation System	Class "H"
Exciter Type	Self exciter
Voltage Regulation Card	SX460 ± 1.0%
Protection Class	IP 23

Technical Standards

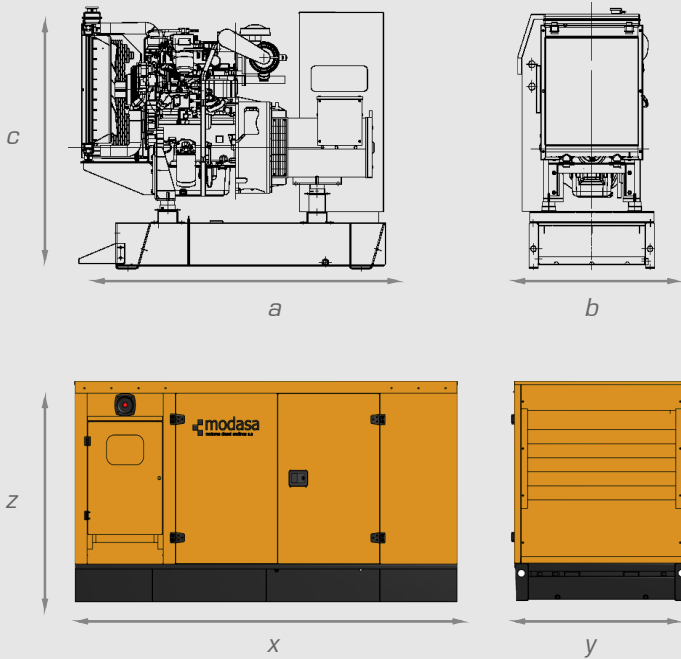
Engine :	ISO 3046, BS 5514, DIN 6271
Alternator :	BS EN 60034, BS 5000, IEC 34 VDE 0530, NEMA MG1-32 CSAC22.2-100, ASI 1359
Generator Set :	ISO 8528, ISO 9001:2015

(1) Prime Power: Available power under variable load for unlimited hours per year (ISO8528-1). Allows 10% power surge for one hour, every 12 hours.

(2) Standby Power: Available power under variable load, whenever the commercial network breaks down. Does not accept surges (ISO8528-3); it has 500 hours usage limit per year or 300 continuous hours instead.

Dimensions

Dimensions and Weights	a	b	c	Weight	Exh. Ø
	1824 mm	814 mm	1302 mm	1080 kg	2.5"
Dimensions and Weights	x	y	z	Weight	Exh. Ø
	2260 mm	1089 mm	1469 mm	1470 kg	3"



Control Panel



Outfitted with the most recent age electronic digital control panel, it allows starting, controlling, protecting and stopping the generator set in manual and automatic modes. Performs automatic transfer.

Measurements shown with alpha-numeric characters on the digital display:

- Voltage of the three phases L - L y L - N.
- Current of the three phases L1, L2, L3.
- Frequency.
- Rotation speed.
- Battery voltage.
- Working time.
- Oil pressure.
- Cooling temperature.

Optional Enhancements

- Residential muffler. (included in Silent Genset)
- Monoblock water heater.
- Alternator dehumidifying resistance.
- Electronic governance.
- Automatic transfer board.
- Variety of voltages.
- Remote speed/voltage potentiometer.
- Fuel level electric meter.

Protection:

- Starter failure.
- Stop failure.
- Low oil pressure.
- High engine temperature.
- Low / High frequency.
- Low / High generator voltage.
- Low / High battery voltage.
- Emergency stop.
- Overload fault.
- CAN diagnosis.

M: Modasa / P: PERKINS Engine / 82: Genset Power Reference / Q: 50 Hz 1500 RPM / I: Silent / M: Single-phase / E: EPA Tier

UQ-POWER
Energy Equipment

3785 Duck Creek Drive
Po Box 32230
Stockton, Ca. 95215
(800) 760-9598
www.uq-power.com



modasa
Plant: Lurín Peru